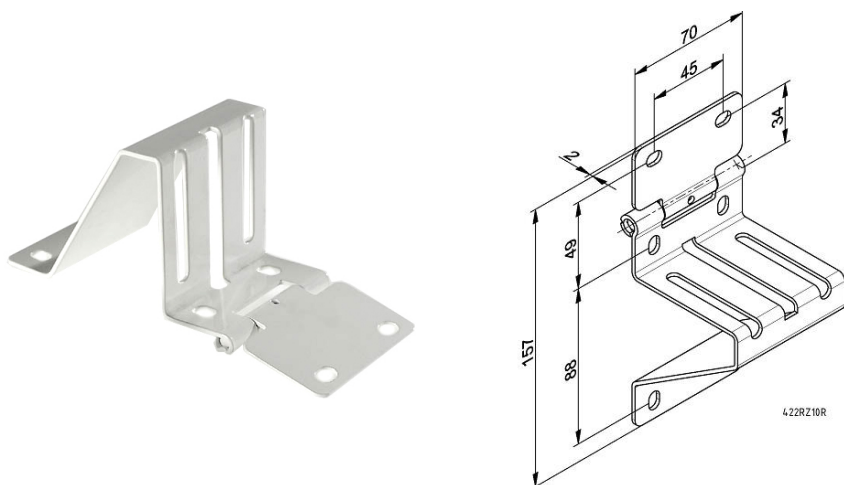


422RZW10R Side hinge

Images:



Description:

- Subcategory	: 06. Side, Epco
- IND/RES	: BOTH
- Full package quantity	: 50
- Unit	: piece (1)
- Weight / Unit	: 0,3kg
- Material	: Galvanised Steel
- Colour	: White
- Width	: 70mm
- Thickness	: 2mm
- Product Family	: a 076
- Heart-to-heart	: 45mm
- Panel brand	: Epco
- Marking	: 422RZW10R FF
- Commercial description	: base, W = 70mm