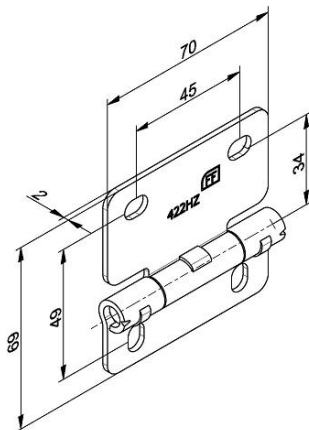
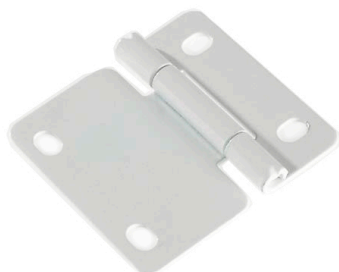


422HZW Intermediate hinge

Images:



Description:

- Subcategory	: 02. Intermediate, Epco
- IND/RES	: BOTH
- Full package quantity	: 100
- Unit	: piece (1)
- Weight / Unit	: 0,12kg
- Material	: Galvanised Steel
- Colour	: White
- Width	: 70mm
- Thickness	: 2mm
- Product Family	: a 016
- Heart-to-heart	: 45mm
- Panel brand	: Epco
- Marking	: 422HZW FF
- Commercial description	: W = 70mm, RAL 9016
- Technical description	: Number of rows of intermediate hinges, depending on door width: w<2749mm = 1 row, w<3999mm = 2 rows, w<4999mm = 3 rows, w<5999mm = 4 rows, w<6999mm = 5 rows, w<7999mm = 6 rows, w<8999mm = 7 rows.