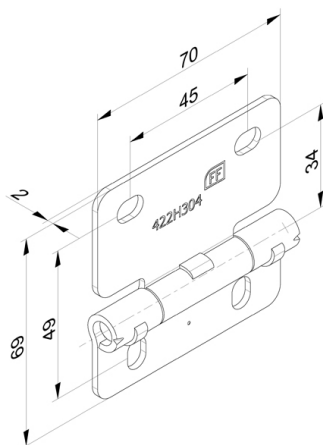


## 422H304 Intermediate hinge

Images:



Description:

- Subcategory	: 02. Intermediate, Epco
- IND/RES	: BOTH
- Full package quantity	: 100
- Unit	: piece (1)
- Weight / Unit	: 0,12kg
- Material	: Stainless Steel
- Width	: 70mm
- Thickness	: 2mm
- Product Family	: a 014
- Heart-to-heart	: 45mm
- Panel brand	: Epco
- Marking	: 422H304 FF
- Commercial description	: W = 70mm
- Technical description	: Number of rows of intermediate hinges, depending on door width: $w < 2749\text{mm} = 1$ row, $w < 3999\text{mm} = 2$ rows, $w < 4999\text{mm} = 3$ rows, $w < 5999\text{mm} = 4$ rows, $w < 6999\text{mm} = 5$ rows, $w < 7999\text{mm} = 6$ rows, $w < 8999\text{mm} = 7$ rows.