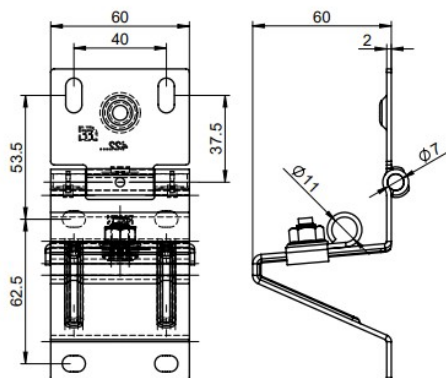


422CXZN Side hinge

Images:



Description:

- | | |
|--------------------------|---|
| - Subcategory | : 07. Side, Kingspan |
| - IND/RES | : IND |
| - Full package quantity | : 60 |
| - Unit | : piece (1) |
| - Weight / Unit | : 0,11kg |
| - Material | : Galvanised Steel |
| - Width | : 60mm |
| - Product Family | : a 103§ |
| - Panel brand | : Kingspan / Epcos / Thyssen |
| - Commercial description | : side hinge, set, 40mm EPCO/Kingspan/Thyssen, w=60mm |
| - Technical description | : New design with improved quality and appearance |