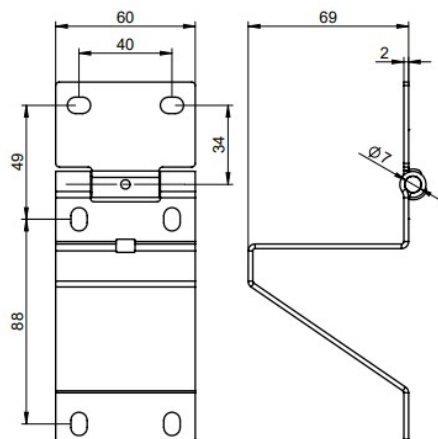


421RZN10R

Images:



Description:

- Subcategory : 06. Side, Epco
- IND/RES : IND
- Full package quantity : 50
- Unit : piece (1)
- Weight / Unit : 0,24kg
- Material : Galvanised Steel
- Width : 60mm
- Product Family : a 103§
- Panel brand : Epco