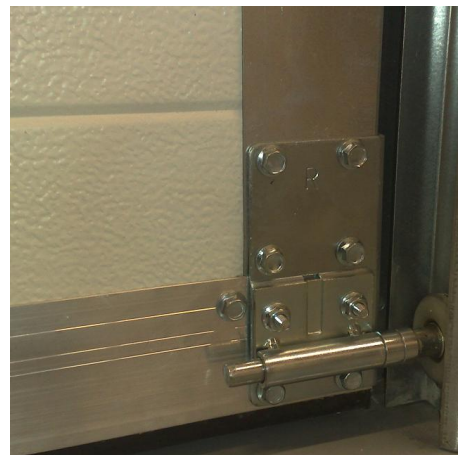
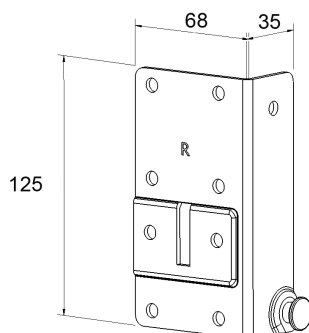


421K Bottom bracket

Images:



Description:

- | | |
|--------------------------|---|
| - Subcategory | : 02. Not adjustable |
| - IND/RES | : RES |
| - Full package quantity | : 50 |
| - Unit | : pair (2) |
| - Weight / Unit | : 1kg |
| - Material | : Galvanised Steel |
| - Width | : 60mm |
| - Thickness | : 2,5mm |
| - Product Family | : 04 Bottom brackets |
| - Adjustable | : No |
| - Max. cable diameter | : 5mm |
| - Max. door weight | : 300kg |
| - Marking | : L/R, FF |
| - Commercial description | : incl. 420S, bolts/nuts, |
| - Technical description | : For systems with springs in front. Separate slide for easy installation. Cable connected to side of console. Including slide 420Sand 1006B12 (4x) + 1062M (4x) bolts/nuts. Light-range. Max doorweight is determined by cable performance (5mm), Track 2inch. |