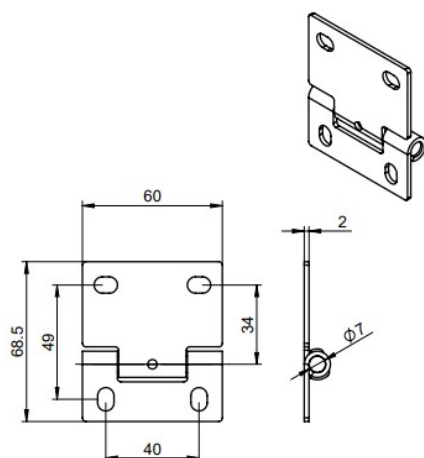


421HZN60

Images:



Description:

- | | |
|-------------------------|--------------------------|
| - Subcategory | : 02. Intermediate, Epco |
| - IND/RES | : IND |
| - Full package quantity | : 100 |
| - Unit | : piece (1) |
| - Weight / Unit | : 0,1kg |
| - Material | : Galvanised Steel |
| - Width | : 60mm |
| - Product Family | : a 103§ |
| - Panel brand | : Epco |