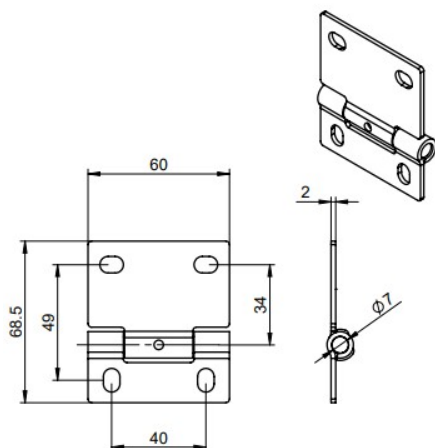


## 421HZN10R

### Images:



### Description:

- |                         |                          |
|-------------------------|--------------------------|
| - Subcategory           | : 02. Intermediate, Epco |
| - IND/RES               | : IND                    |
| - Full package quantity | : 100                    |
| - Unit                  | : piece (1)              |
| - Weight / Unit         | : 0,1kg                  |
| - Material              | : Galvanised Steel       |
| - Width                 | : 60mm                   |
| - Product Family        | : a 103§                 |
| - Panel brand           | : Epco                   |