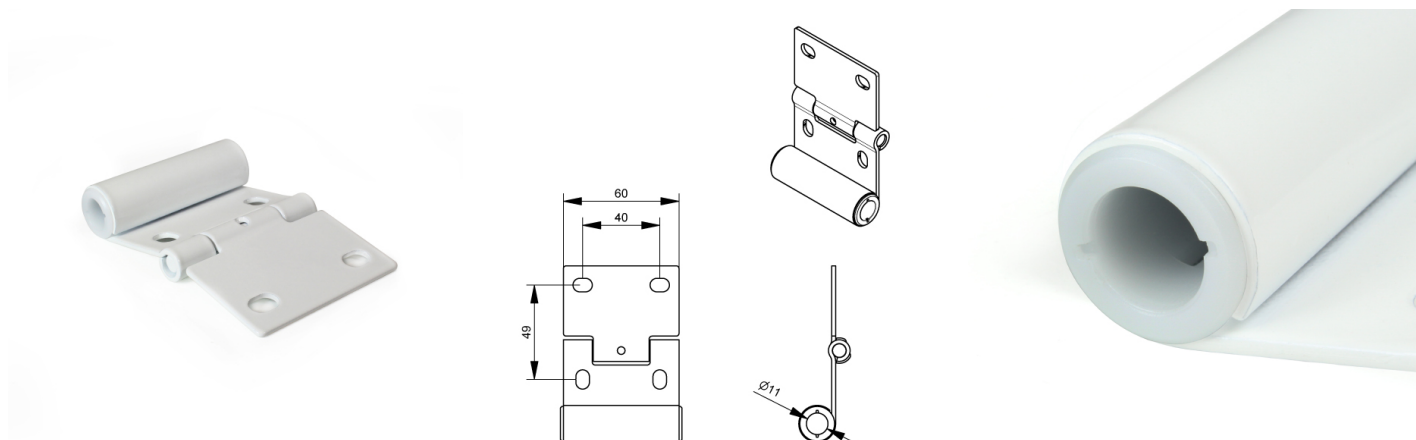


421FZBW10R Side hinge

Images:



Description:

- Subcategory	: 06. Side, Epcó
- IND/RES	: RES
- Full package quantity	: 100
- Unit	: piece (1)
- Weight / Unit	: 0,16kg
- Material	: Galvanised Steel
- Colour	: White
- Width	: 60mm
- Thickness	: 2mm
- Product Family	: a 103§
- Heart-to-heart	: 40mm
- Panel brand	: Epcó
- Technical description	: A 60mm, white coated, low noise side hinge for our 595 series tandem rollers. Suitable for EPCO panels. Two plastic bushes at both sides of the hinge to prevent steel on steel contact between the roller shaft and the hinge, for a reduced noise level.