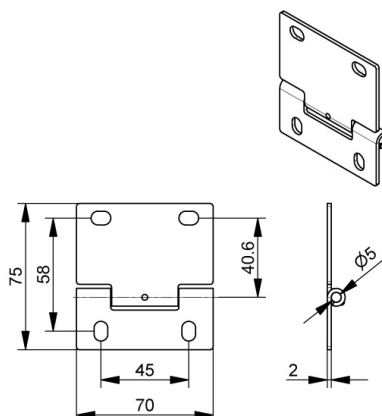


420HZN10R Intermediate hinge

Images:



Description:

- Subcategory : 01. Intermediate, Metecno etc.
- IND/RES : BOTH
- Full package quantity : 175
- Unit : piece (1)
- Weight / Unit : 0,11kg
- Material : Galvanised Steel
- Width : 70mm
- Thickness : 2mm
- Product Family : a 002§
- Heart-to-heart : 45mm
- Panel brand : Metecno / Tecsedo / Marcegaglia / Italpannelli
- Marking : 420HZ10R FF
- Commercial description : Metecno, Tecsedo, Italpannell, etc.
- Technical description : Number of rows of intermediate hinges, depending on door width: $w < 2749\text{mm} = 1$ row, $w < 3999\text{mm} = 2$ rows, $w < 4999\text{mm} = 3$ rows, $w < 5999\text{mm} = 4$ rows, $w < 6999\text{mm} = 5$ rows, $w < 7999\text{mm} = 6$ rows, $w < 8999\text{mm} = 7$ rows.