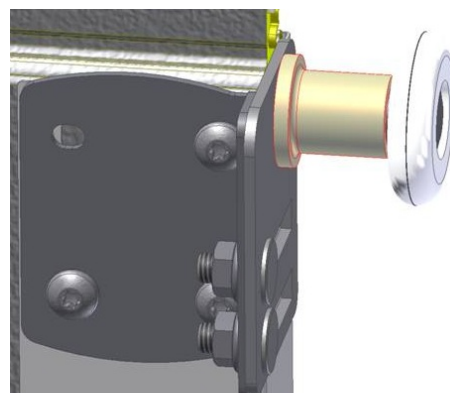
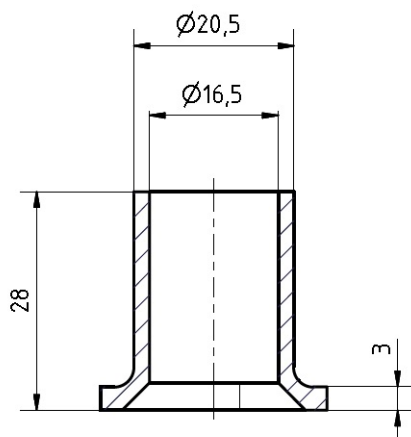
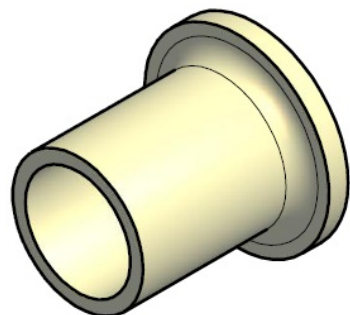


## 419CB Plastic ring

Images:



Description:

- Subcategory	: 03. Others
- IND/RES	: RES
- Full package quantity	: 1000
- Unit	: piece (1)
- Weight / Unit	: 0,004kg
- Material	: Plastic
- Length	: 28mm
- Product Family	: a 030
- Inside diameter	: 16,5mm
- Marking	: 419CB FF
- Commercial description	: Replaces 419BUS
- Technical description	: Protection ring which protects the steel collar from damaging by the lifting cable. New version with higher collar.