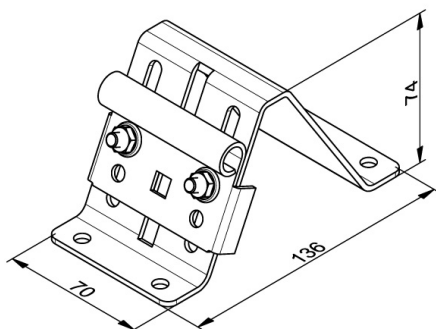


415CZ Top roller bracket

Images:



Description:

- Subcategory	: 01. Adjustable
- IND/RES	: IND
- Full package quantity	: 100
- Unit	: piece (1)
- Weight / Unit	: 0,45kg
- Material	: Galvanised Steel
- Height	: 74mm
- Length	: 136mm
- Width	: 70mm
- Thickness	: 2,5mm
- Product Family	: a 003
- Heart-to-heart	: 45mm
- Inside diameter	: 11mm
- Technical description	: Article 415CZ is complete and includes bracket, roller slide of 2.0mm for 11mm shaft, two M6 bolts and two nuts. The vertical centre line of the holes is 120mm.