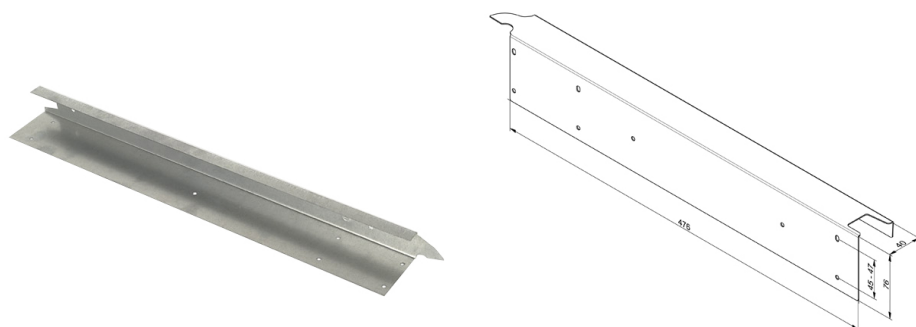


## 40YM500R End cap

Images:



Description:

- Subcategory	: 16. Single (M), ThyssenKrupp
- IND/RES	: BOTH
- Full package quantity	: 250
- Unit	: piece (1)
- Weight / Unit	: 0,5kg
- Material	: Galvanised Steel
- Height	: 476mm
- Length	: 500mm
- Width	: 76mm
- Thickness	: 1mm
- Product Family	: a 126
- Fingersafe	: Yes
- Galvanised	: Yes
- Heart-to-heart	: 45mm
- Left / Right	: Right
- Panel thickness	: 40mm
- Technical description	: The end caps have exactly the same shape as the finger protection panels of ThyssenKrupp