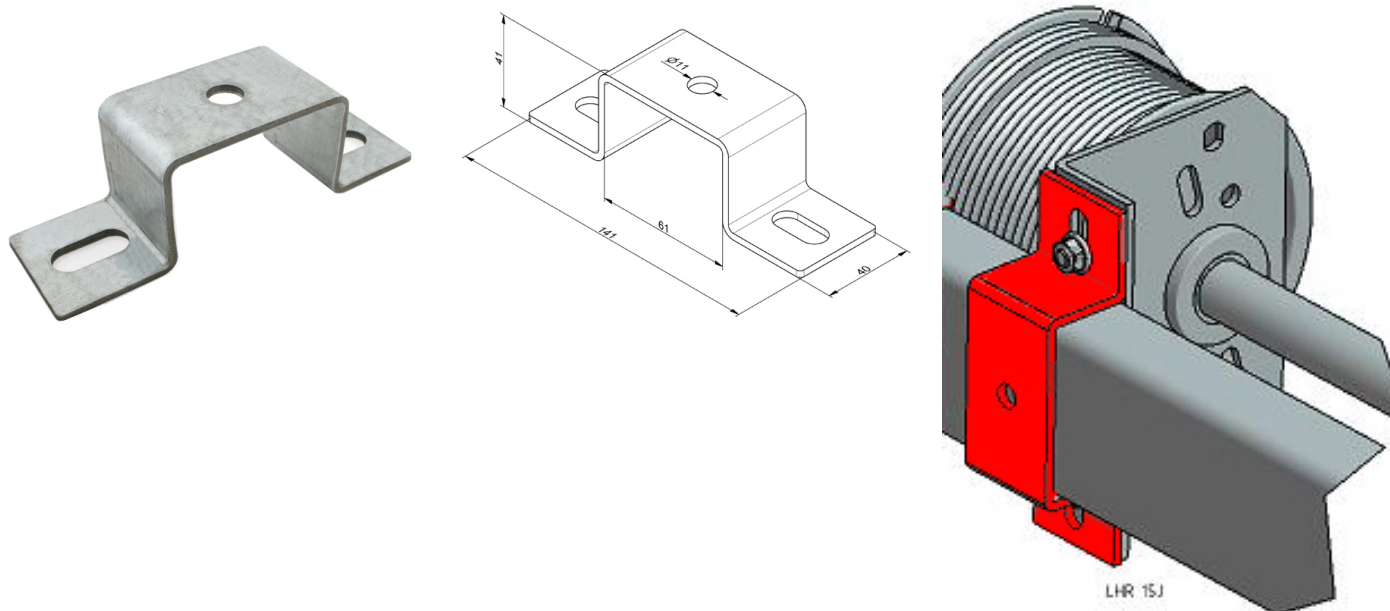


40U60 Bracket

Images:



Description:

- Subcategory	: 02. Others
- IND/RES	: IND
- Full package quantity	: 50
- Unit	: piece (1)
- Weight / Unit	: 0,18kg
- Material	: Galvanised Steel
- Height	: 41mm
- Length	: 141mm
- Width	: 40mm
- Thickness	: 4mm
- Product Family	: a 020
- Marking	: FF
- Technical description	: Bracket for fixing box beam 60K40 to triangular plate 342L/R. Springs on beam.