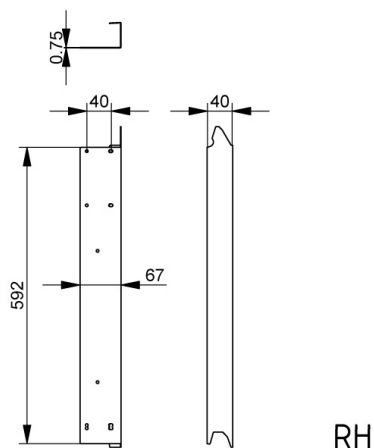


40EKS610L End cap

Images:



Description:

| | |
|--------------------------|--|
| - Subcategory | : 17. Light (S), Kingspan and Epco |
| - IND/RES | : RES |
| - Full package quantity | : 250 |
| - Unit | : piece (1) |
| - Weight / Unit | : 0,44kg |
| - Material | : Galvanised Steel |
| - Height | : 592mm |
| - Length | : 610mm |
| - Width | : 67mm |
| - Thickness | : 0,75mm |
| - Product Family | : a 142§ |
| - Fingersafe | : Yes |
| - Galvanised | : Yes |
| - Heart-to-heart | : 40mm |
| - Left / Right | : Left |
| - Panel thickness | : 40mm |
| - Commercial description | : Replaces 40PS610L and 40ES610L |
| - Technical description | : This universal end cap is universal for Kingspan and Epco panels. It contains a hole pattern that matches both versions of hinges, to match the reinforcement lip in the panel |