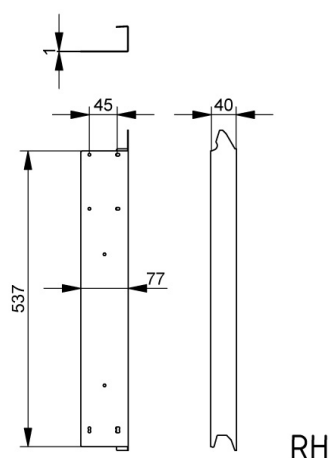


40EKM555WR End cap

Images:



Description:

- Subcategory : 18. Single (M), Kingspan and Epco
- IND/RES : RES
- Full package quantity : 250
- Unit : piece (1)
- Weight / Unit : 0,57kg
- Material : Galvanised Steel
- Colour : White
- Height : 537mm
- Length : 555mm
- Width : 77mm
- Thickness : 0,75mm
- Product Family : a 153§
- Fingersafe : Yes
- Galvanised : Yes
- Heart-to-heart : 45mm
- Left / Right : Right
- Panel thickness : 40mm
- Commercial description : Replaces 40PM555WR
- Technical description : This universal end cap is universal for Kingspan and Epco panels. It contains a hole pattern that matches both versions of hinges, to match the reinforcement lip in the panel