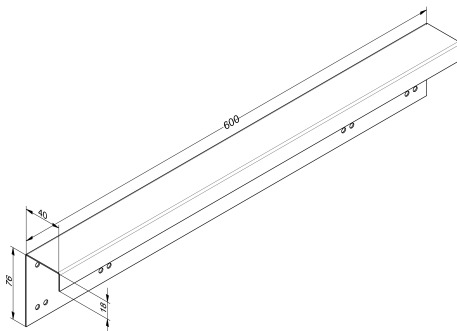
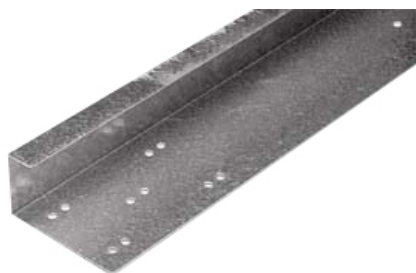


40E610 End cap

Images:



Description:

- Subcategory : 13. Single, Industrial
- IND/RES : IND
- Full package quantity : 250
- Unit : piece (1)
- Weight / Unit : 0,63kg
- Material : Galvanised Steel
- Height : 600mm
- Length : 610mm
- Width : 76mm
- Thickness : 1mm
- Product Family : a 111
- Fingersafe : No
- Galvanised : Yes
- Panel thickness : 40mm
- Technical description : Provided with hole pattern for side hinges. Universal left and right. Rounded corners. Effective size is panel size less 10mm. On request also available in other sizes or without holes.