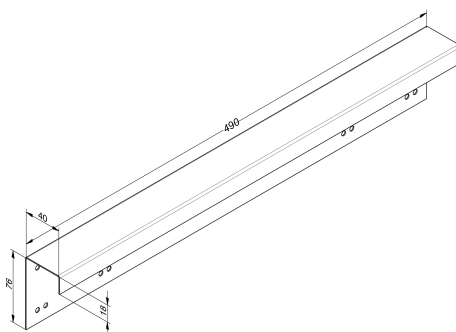
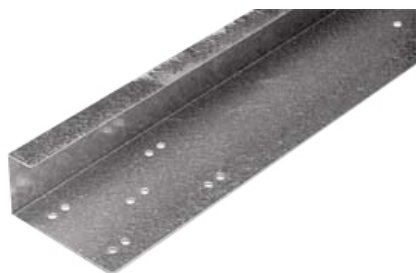


## 40E500 End cap

Images:



Description:

- Subcategory	: 13. Single, Industrial
- IND/RES	: IND
- Full package quantity	: 250
- Unit	: piece (1)
- Weight / Unit	: 0,5kg
- Material	: Galvanised Steel
- Height	: 490mm
- Length	: 500mm
- Width	: 76mm
- Thickness	: 1mm
- Product Family	: a 109
- Fingersafe	: No
- Galvanised	: Yes
- Panel thickness	: 40mm
- Technical description	: Provided with hole pattern for side hinges. Universal left and right. Rounded corners. Effective size is panel size less 10mm. On request also available in other sizes or without holes.