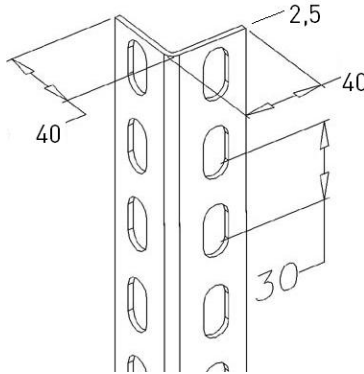


## 40B25-3000-S Angle

Images:



Description:

- Subcategory	: 09. Perforated
- IND/RES	: IND
- Full package quantity	: 50
- Unit	: piece (1)
- Weight / Unit	: 3,96kg
- Material	: Galvanised Steel
- Height	: 40mm
- Length	: 3000mm
- Width	: 40mm
- Thickness	: 2,5mm
- Product Family	: a 099