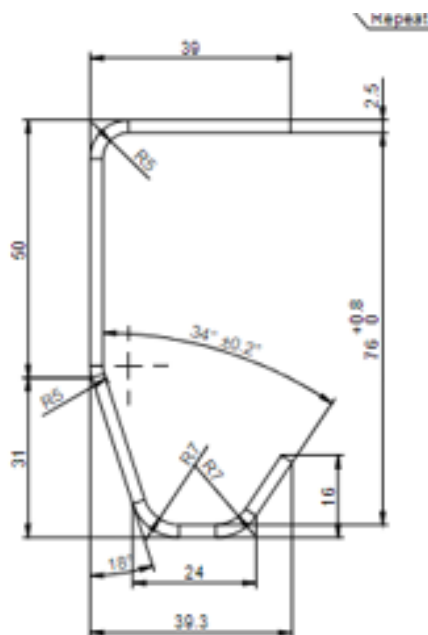


3VH4720 Vertical door track

Images:



Description:

- IND/RES	: IND
- Full package quantity	: 32
- Unit	: piece (1)
- Weight / Unit	: 13,59kg
- Material	: Galvanised Steel
- Height	: 36mm
- Length	: 4720mm
- Width	: 81mm
- Product Family	: a 001
- Commercial description	: Replaces the 13155 track
- Technical description	: Improved quality. The new shape has a better roller surface and has more room for movement of the roller. Bolted connection can be applied if desired.