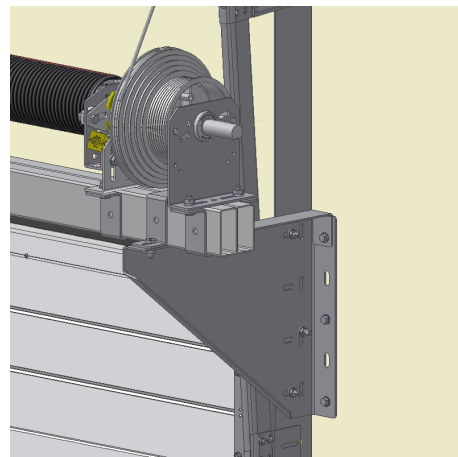
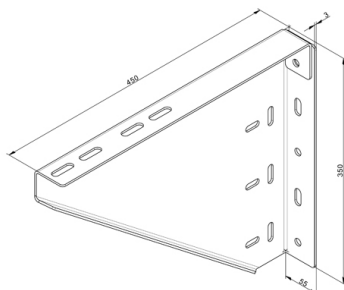


## 355R Triangular plate

Images:



### Description:

- Subcategory	: 03. Tri-ang plates
- IND/RES	: IND
- Full package quantity	: 5
- Unit	: piece (1)
- Weight / Unit	: 3,37kg
- Material	: Galvanised Steel
- Height	: 350mm
- Length	: 450mm
- Width	: 55mm
- Product Family	: a 027
- Left / Right	: Right
- Marking	: 355R FF
- Technical description	: To be fixed to the wall and to the vertical angle. Equipped with slotted hole pattern for use in combination with several box beam sizes (f.e. 80K and 120K) and its fixing material. Special brackets 35U80, 35U120 are available. Combine with pulley wheel assembly (IND554L/R) to build springs on beam