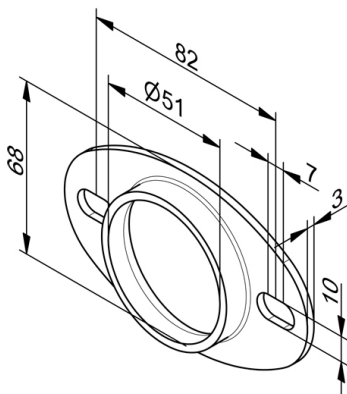


325 Bearing retainer

Images:



Description:

- | | |
|-------------------------|--|
| - Subcategory | : 05. Others |
| - IND/RES | : BOTH |
| - Full package quantity | : 100 |
| - Unit | : piece (1) |
| - Material | : Galvanised Steel |
| - Product Family | : a 045 |
| - Galvanised | : Yes |
| - Technical description | : The centre line of the slotted holes (10x17mm) for fixing onto an end or intermediate plate amounts to 82mm. |