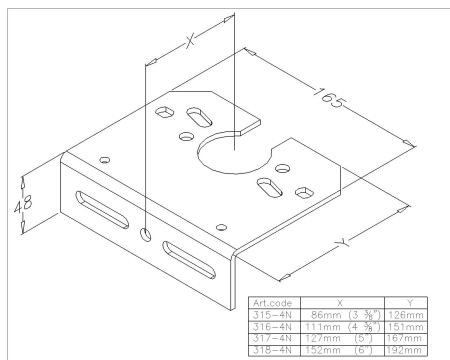


318-4N Bearing plate

Images:



Description:

- Subcategory : 04. Plates
- IND/RES : IND
- Full package quantity : 20
- Unit : piece (1)
- Weight / Unit : 1,03kg
- Material : Galvanised Steel
- Height : 165mm
- Width : 48mm
- Thickness : 4mm
- Product Family : a 035
- Galvanised : Yes
- Heart-to-heart : 152mm
- Technical description : Bearing plate galvanised, 4mm. For 1" bearing USA-B and for 1-1/4" bearing USA-A, heart distance 6" - 152mm