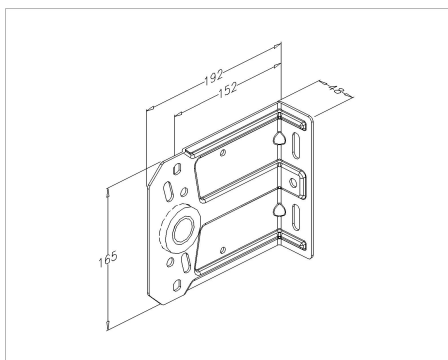


3152C Bearing plate

Images:



Description:

- Subcategory	: 02. Central
- IND/RES	: IND
- Full package quantity	: 20
- Unit	: piece (1)
- Weight / Unit	: 0,77kg
- Material	: Galvanised Steel
- Height	: 165mm
- Length	: 192mm
- Width	: 48mm
- Thickness	: 2,5mm
- Product Family	: a 014
- Galvanised	: Yes
- Heart-to-heart	: 152mm
- Technical description	: New high tec bearing plates made of high-tension steel with a keen design of reinforcement ribs.