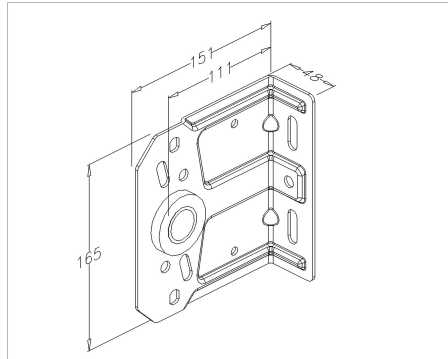
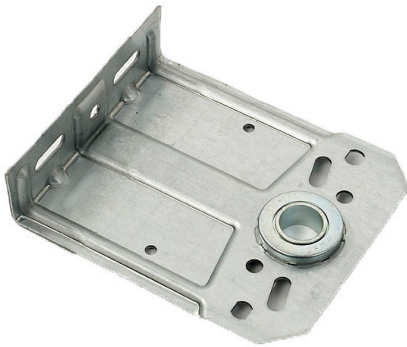


3111C Bearing plate

Images:



Description:

- Subcategory	: 02. Central
- IND/RES	: IND
- Full package quantity	: 20
- Unit	: piece (1)
- Weight / Unit	: 0,64kg
- Height	: 165mm
- Length	: 151mm
- Width	: 48mm
- Thickness	: 2,5mm
- Product Family	: a 012
- Galvanised	: Yes
- Heart-to-heart	: 111mm
- Technical description	: New high tec bearing plates made of high-tension steel with a keen design of reinforcement ribs.