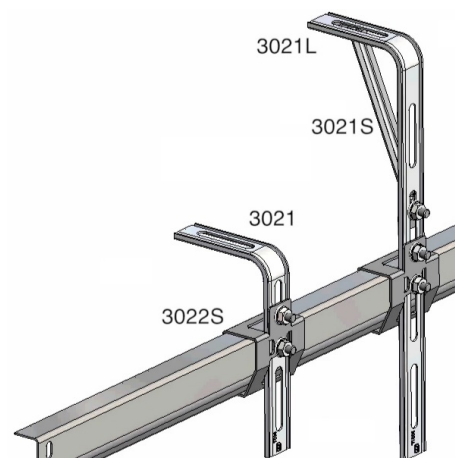
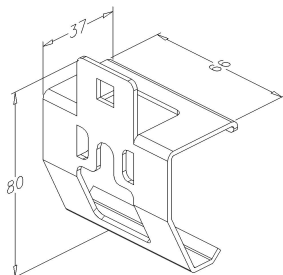


3022S Track connection bracket

Images:



Description:

- Subcategory	: 01. Suspension
- IND/RES	: BOTH
- Full package quantity	: 250
- Unit	: piece (1)
- Weight / Unit	: 0,1kg
- Material	: Galvanised Steel
- Length	: 80mm
- Width	: 66mm
- Thickness	: 2mm
- Product Family	: a 009
- Commercial description	: single track, for 3021(L)
- Technical description	: For 2inch single horizontal track. Can easily be snapped on the tracks. Angle bracket (3021(L)) will be fixed between the track and console after which both will be fixed with a M8 bolt and nut