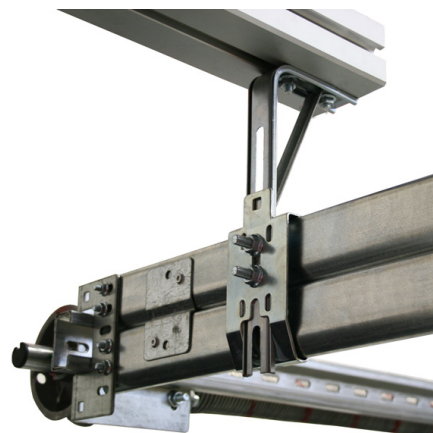
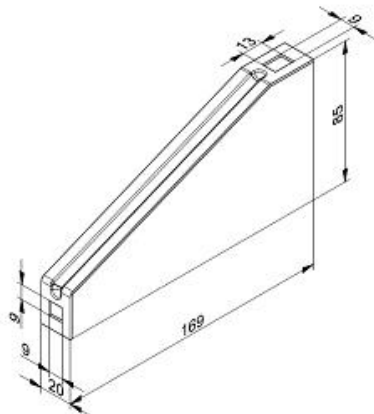


3021S Reinforcement strip

Images:



Description:

| | |
|-------------------------|--------------------------------------------------------------------------------------------------------------------------------------------------------------------------------------------------------------------------|
| - Subcategory | : 01. Suspension |
| - IND/RES | : RES |
| - Full package quantity | : 50 |
| - Unit | : piece (1) |
| - Weight / Unit | : 0,05kg |
| - Material | : Galvanised Steel |
| - Height | : 85mm |
| - Length | : 169mm |
| - Width | : 20mm |
| - Product Family | : a 006 |
| - Max. door weight | : 160kg |
| - Marking | : FF |
| - Technical description | : Reinforcement of angle bracket construction type 3021 and 3021L. Placing the strip will provide a strong 3 angle shape construction which makes the horizontal track suspension more solid. Excluding fixing material. |