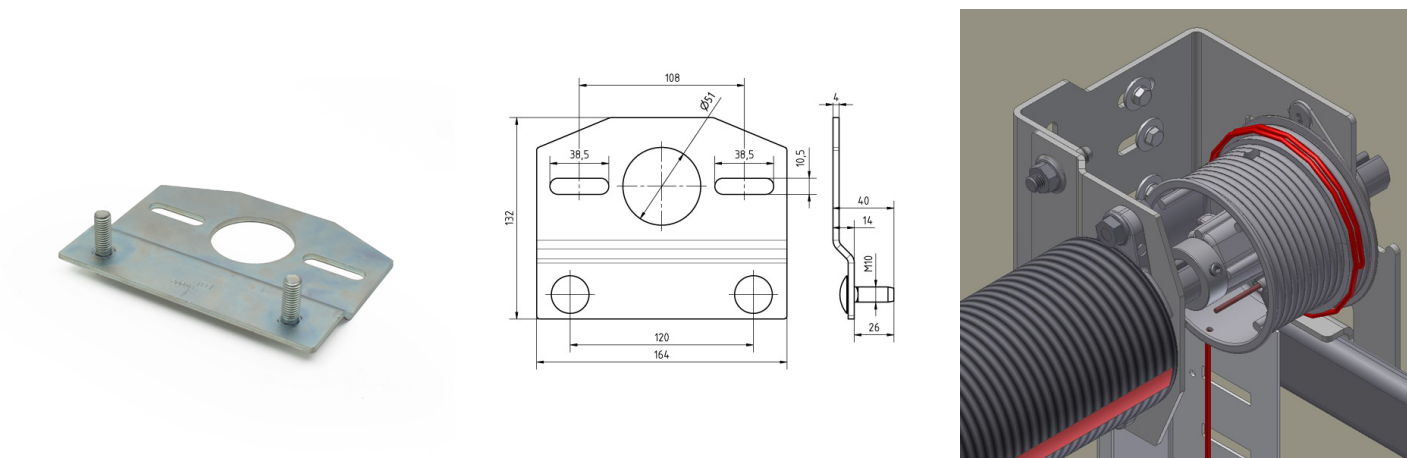


## 300SB Spring support bracket

Images:



### Description:

- Subcategory	: 05. Others
- IND/RES	: IND
- Full package quantity	: 20
- Unit	: piece (1)
- Weight / Unit	: 0,639kg
- Material	: Galvanised Steel
- Height	: 40mm
- Length	: 132mm
- Width	: 164mm
- Thickness	: 4mm
- Product Family	: a 043
- Galvanised	: Yes
- Inside diameter	: 51mm
- Marking	: 300SB FF
- Commercial description	: Easy installation!
- Technical description	: Support bracket for springs. Combine with USA-A and USA-B. Use with bearing plates 3111F, 3127F and 3152F.