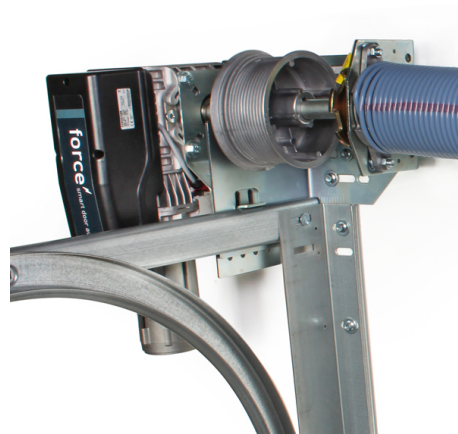
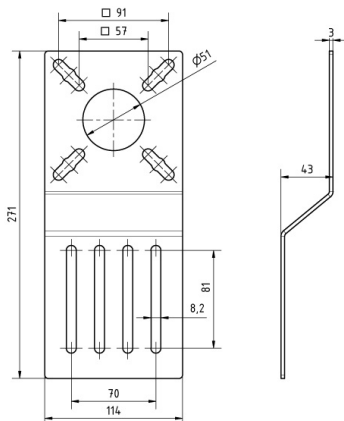
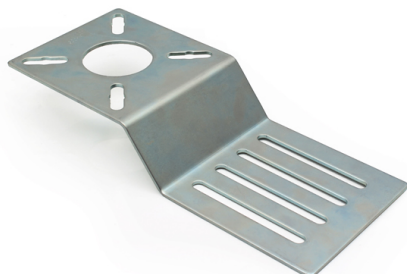


## 300PB Operator bracket

Images:



Description:

- IND/RES	: IND
- Full package quantity	: 30
- Unit	: piece (1)
- Weight / Unit	: 0,638kg
- Material	: Galvanised Steel
- Height	: 43mm
- Length	: 114mm
- Width	: 271mm
- Thickness	: 3mm
- Product Family	: a 047
- Marking	: 300PB FF
- Technical description	: Bracket for mounting motor to rail, no wall mounting.