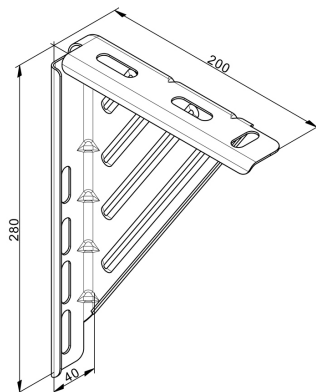
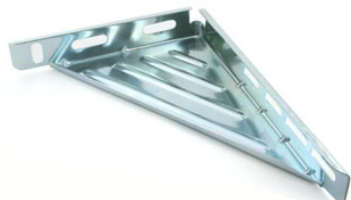


3005L Triangular plate

Images:



Description:

- Subcategory	: 03. Tri-ang plates
- IND/RES	: RES
- Full package quantity	: 40
- Unit	: piece (1)
- Weight / Unit	: 0,3kg
- Material	: Galvanised Steel
- Height	: 280mm
- Length	: 200mm
- Width	: 40mm
- Thickness	: 1,5mm
- Product Family	: a 018
- Left / Right	: Left
- Technical description	: Simple, multifunctional tri-angular plate that can be used for all kind of suspension applications.