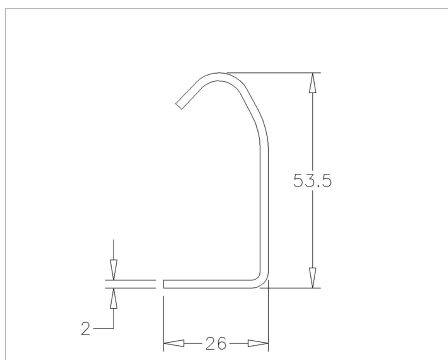


## 2V6500 Vertical door track

### Images:



### Description:

- |                         |                                                                                                     |
|-------------------------|-----------------------------------------------------------------------------------------------------|
| - Subcategory           | : 05. Tracks 2,0mm                                                                                  |
| - IND/RES               | : IND                                                                                               |
| - Full package quantity | : 50                                                                                                |
| - Unit                  | : piece (1)                                                                                         |
| - Weight / Unit         | : 9,7kg                                                                                             |
| - Material              | : Galvanised Steel                                                                                  |
| - Length                | : 6500mm                                                                                            |
| - Width                 | : 53,5mm                                                                                            |
| - Thickness             | : 2mm                                                                                               |
| - Product Family        | : a 067                                                                                             |
| - Technical description | : Both ends are provided with 2 round holes of 7mm diameter.<br>Other lengths available on request. |