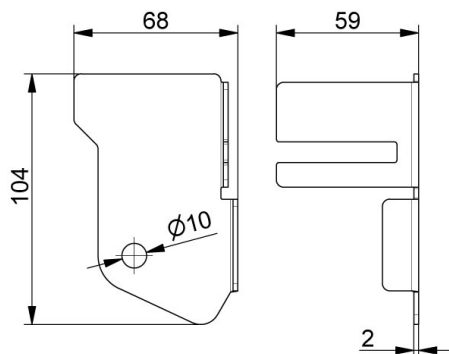


2604SL Floor bracket

Images:



Description:

- Subcategory : 02. Burglar resistant
- IND/RES : RES
- Full package quantity : 100
- Unit : piece (1)
- Weight / Unit : 0,125kg
- Material : Galvanised Steel
- Thickness : 2mm
- Product Family : a 011
- Left / Right : Left
- Max. door weight : 225kg
- Marking : 2604SL FF
- Commercial description : Reinforces door construction at position of bottom roller, making it difficult for burglars breaking into the garage. Together with the closed vertical C-track of RSC system and 215F-top curve, this is an integrated anti-burglar design. Securing homes against intruders.
- Technical description : Part of RSC residential door system. Burglar resistant. Use in combination with RSCVL or RSCVLC tracks. Fix with 1062BF12 + 1062M to angle. Fix into the floor.