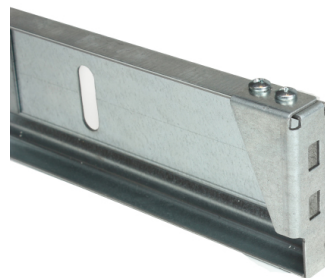
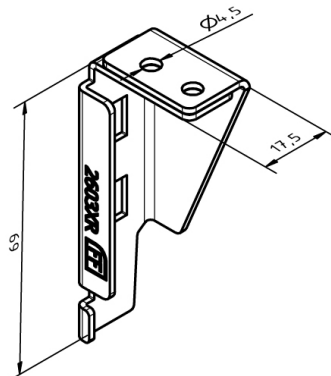


2603XL Lintel fixation bracket left

Images:



Description:

- Subcategory	: 11. Lintel 915VSX
- IND/RES	: RES
- Full package quantity	: 300
- Unit	: piece (1)
- Weight / Unit	: 0,04kg
- Material	: Galvanised Steel
- Height	: 69mm
- Length	: 21,5mm
- Width	: 17,5mm
- Thickness	: 1,5mm
- Product Family	: a 134
- Marking	: 2603XL FF
- Commercial description	: Lintel fixation bracket for 915VS-E...
- Technical description	: Used to connect the lintel profile to the vertical track set. Can be applied with two screws after cutting profile to size.