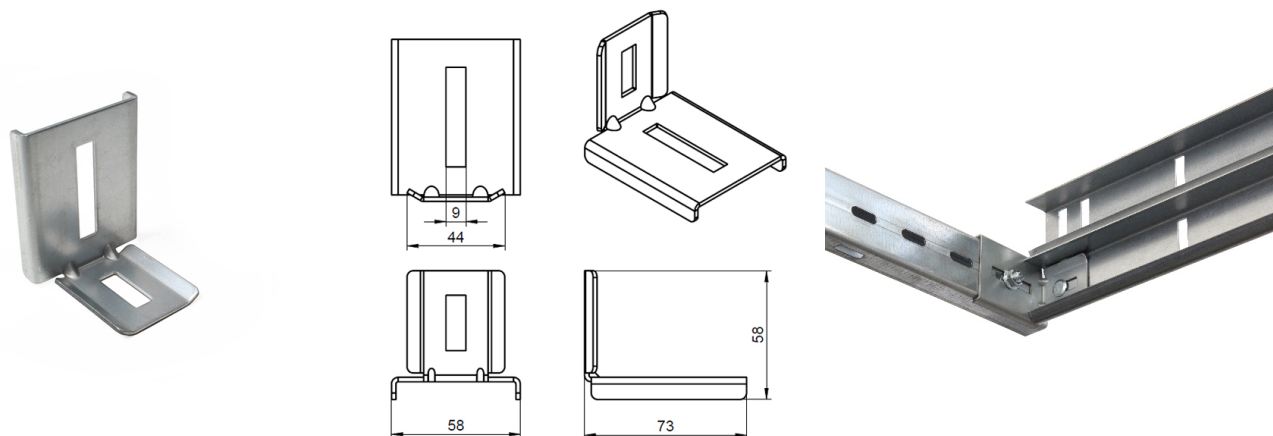


## 2602SU Connection bracket

Images:



### Description:

|                          |   |
|--------------------------|---|
| - Subcategory            | : 05. Others  |
| - IND/RES                | : RES   |
| - Full package quantity  | : 200   |
| - Unit                   | : piece (1)   |
| - Weight / Unit          | : 0,10kg  |
| - Material               | : Galvanised Steel  |
| - Height                 | : 58mm  |
| - Length                 | : 73mm  |
| - Width                  | : 58mm  |
| - Thickness              | : 2mm   |
| - Product Family         | : a 001   |
| - Commercial description | : RSC, connection bracket, 2mm, zinc plated   |
| - Technical description  | : Use in combination with 50SU and 48SU to create a solid connection between the ends of the horizontal tracks. This connections secures the distance between the two tracks and is also used to support the operator |