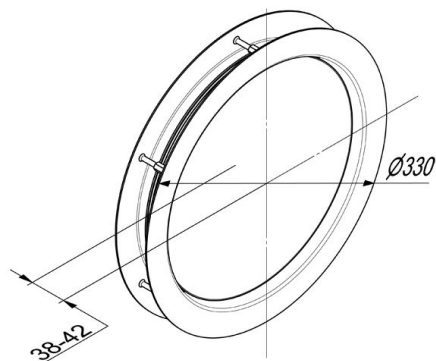


2430RS2-SB Window

Images:



Description:

- Subcategory	: 01. Stainless Steel
- IND/RES	: RES
- Full package quantity	: 1
- Unit	: piece (1)
- Weight / Unit	: 2,7kg
- Material	: Stainless Steel
- Width	: 330mm
- Product Family	: a 007
- Panel thickness	: 38mm - 42mm
- Commercial description	: round 330mm, panel 38-42mm
- Technical description	: Replaces 2430-SBN. Double hardened glass and sand-brushed. Supplied incl manual, cutting mould, smoothing brush, all in one box.