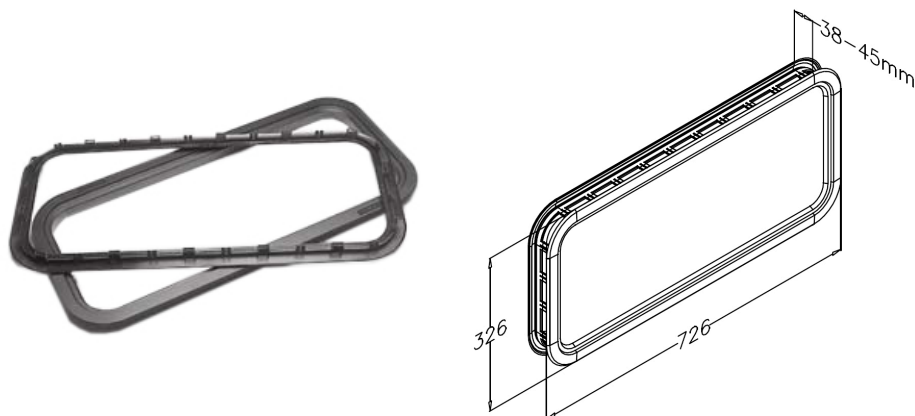


2390A Window

Images:



Description:

- Subcategory	: 04. IND
- IND/RES	: IND
- Full package quantity	: 50
- Unit	: set (1)
- Weight / Unit	: 1,7kg
- Material	: Acrylate
- Colour	: Black
- Height	: 326mm
- Width	: 726mm
- Product Family	: a 054
- Panel thickness	: 38mm - 45mm
- Thermal Conductivity	: K-value = 2,8 W/m2K
- Commercial description	: 726x326 mm. Cut-out size: 695x295 mm (+radius).
- Technical description	: Window is provided with 3 and 2mm acrylic sheets. Outer frame is provided with butyl seal, which seals unequalties of max. 0.5mm in mounting surface. Bigger seams make use of extra sealing kit necessary. Click system.