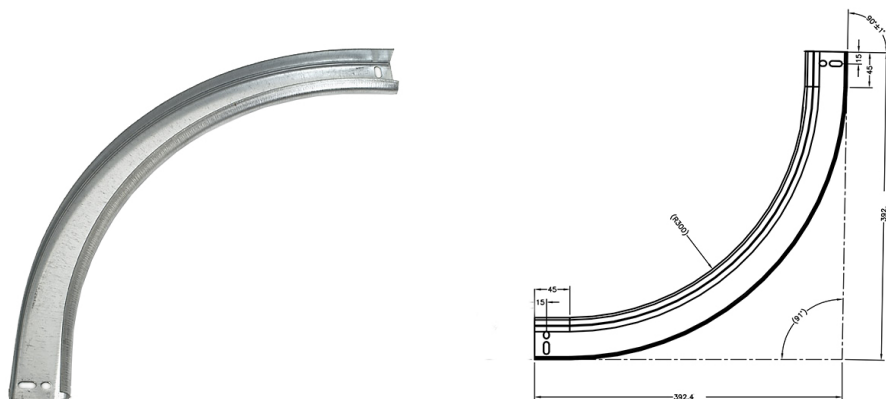


215G0582-300-01 Curve

Images:



Description:

- Subcategory : 01. 215G
- IND/RES : BOTH
- Full package quantity : 50
- Unit : piece (1)
- Weight / Unit : 1kg
- Material : Galvanised Steel
- Length : 582mm
- Thickness : 1,5mm
- Product Family : a 001
- Inside diameter : 300mm
- Track width : 2"
- Technical description : One end is provided with 2 round holes diameter 7mm, the other end is provided with a slotted hole and a round hole. The end of the bend has a 100mm long straight part. The given length indicates the length inmm, before bending.