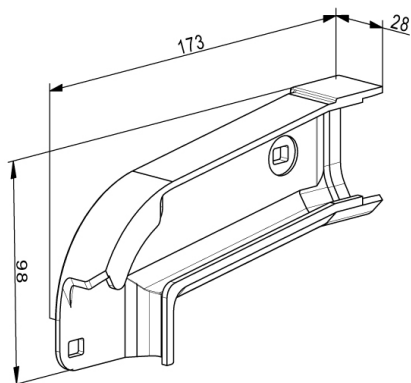


215FNL Top curve

Images:



Description:

- Subcategory	: 07. Others
- IND/RES	: RES
- Full package quantity	: 25
- Unit	: piece (1)
- Weight / Unit	: 0,16kg
- Material	: Aluminium
- Height	: 98mm
- Length	: 173mm
- Width	: 28mm
- Product Family	: a 050
- Track width	: 2"
- Marking	: 215FNL FF
- Commercial description	: Improved version, better roller guide surface! Replaces 215FL
- Technical description	: Smart solution to guide and lock-up the top roller in RSC doors. Universal for springs in front and springs in rear. And manual or power operated doors. Prevents upper panel to be pushed inwards. Pre-installed on RSC horizontal track set.