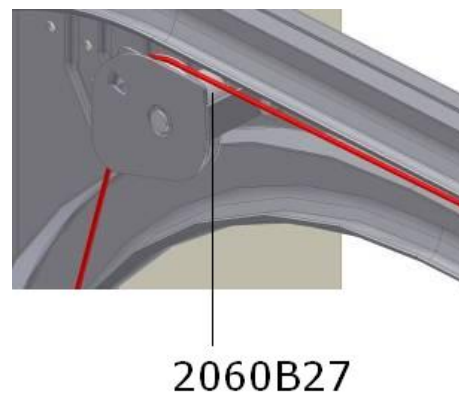
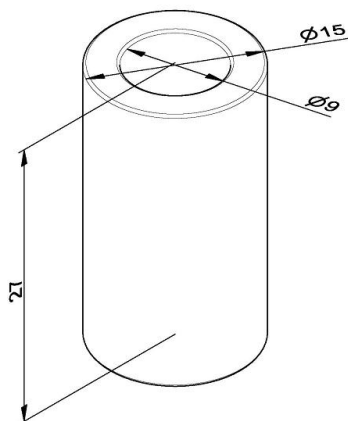


2060B27 Distance ring

Images:



Description:

- Subcategory	: 04. Distance rings
- IND/RES	: RES
- Full package quantity	: 500
- Unit	: piece (1)
- Weight / Unit	: 0,024kg
- Material	: Galvanised Steel
- Length	: 27mm
- Product Family	: a 064
- Inside diameter	: 9mm
- Outside diameter	: 15mm
- Technical description	: Distance piece for in between residential side plate RSC563L/R, and pulley wheel 570-60/80.