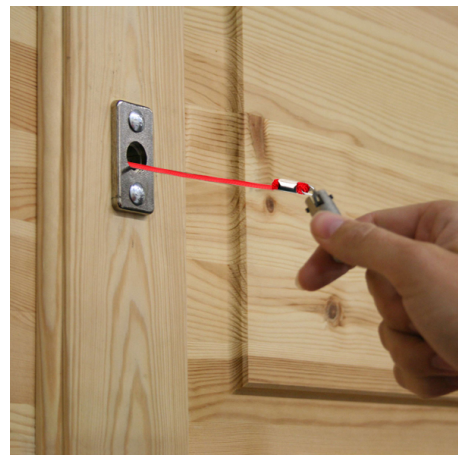
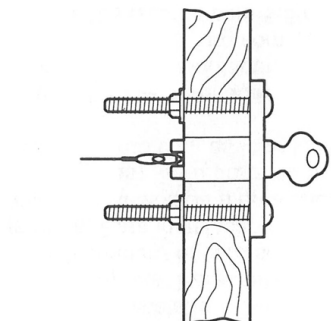


1702EVO Outside release kit

Images:



Description:

- | | |
|--------------------------|--|
| - Subcategory | : Evolution Accessories |
| - IND/RES | : RES |
| - Full package quantity | : 1 |
| - Unit | : piece (1) |
| - Weight / Unit | : 0,21kg |
| - Material | : Galvanised Steel |
| - Product Family | : a 028 |
| - Marking | : Liftmaster 1702EVO |
| - Commercial description | : New version! |
| - Technical description | : Release kit for disconnecting the operator from outside the garage. With keys. Complete set! |