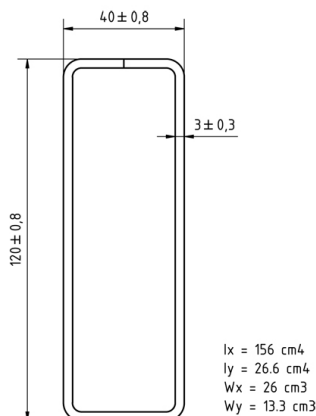


120K-7000 Box beam

Images:



Description:

- Subcategory	: 01. Beams
- IND/RES	: IND
- Full package quantity	: 16
- Unit	: piece (1)
- Weight / Unit	: 46,1kg
- Material	: Galvanised Steel
- Height	: 40mm
- Length	: 7000mm
- Width	: 120mm
- Thickness	: 3mm
- Product Family	: a 011
- Technical description	: Welded box profile made of plate steel. Suitable for installing the spring shaft.