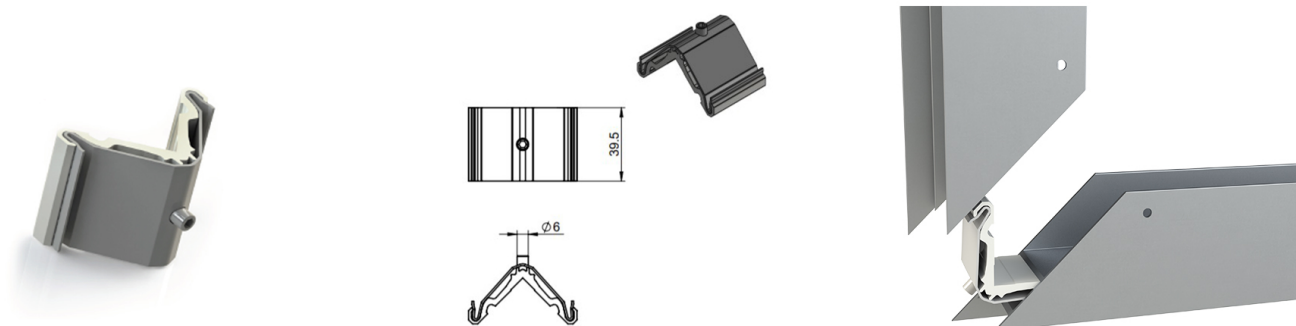


## 1134-MC Corner reinforcement

Images:



### Description:

- Subcategory : 08. SolidStep
- IND/RES : BOTH
- Full package quantity : 70
- Unit : piece (1)
- Weight / Unit : 0,066kg
- Product Family : a 001§
- Commercial description : The 1134-MC is easy to install and makes strong, inline corner connection and thus the entire pass door extremely robust.
- Technical description : Corner reinforcement bracket. Positioned inside the 1134P profile. Tightend with a 4mm alankey. Included in the pass door kit.