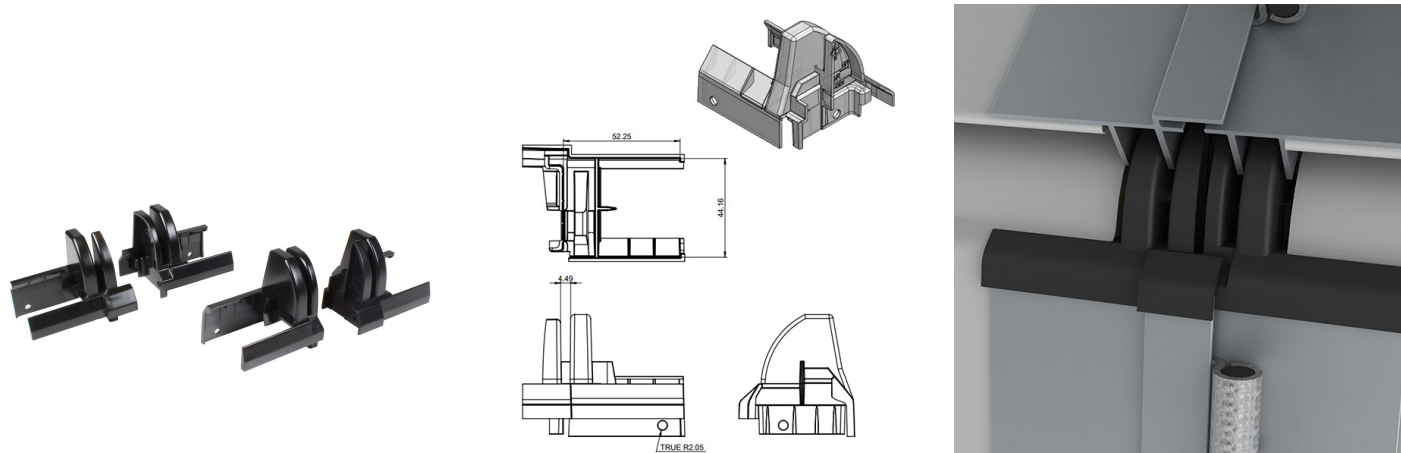


1134-CT-9005 Pass door caps

Images:



Description:

- | | |
|--------------------------|--|
| - Subcategory | : 08. SolidStep |
| - IND/RES | : BOTH |
| - Full package quantity | : 25 |
| - Unit | : piece (1) |
| - Weight / Unit | : 0,1kg |
| - Product Family | : a 001§ |
| - Commercial description | : Full package contains 25 sets of 4 caps |
| - Technical description | : SolidStep fingersafe caps for Tecsedo panels, plastic, uv stabilized black |