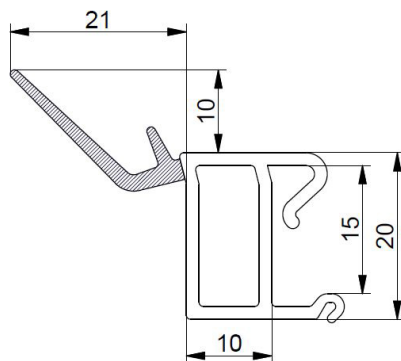


1088T-3060 Seal

Images:



Description:

- Subcategory	: 06. Thermal break
- IND/RES	: RES
- Full package quantity	: 10
- Unit	: piece (1)
- Weight / Unit	: 0,83kg
- Material	: PP, TPE
- Colour	: Black
- Height	: 30mm
- Length	: 3060mm
- Width	: 31mm
- Product Family	: a 109
- Marking	: 1088T
- Technical description	: Improves thermal(U-)value of the door, with the same appearance. Part of Value Pack Thermal.