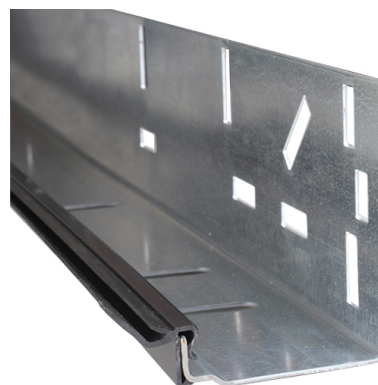
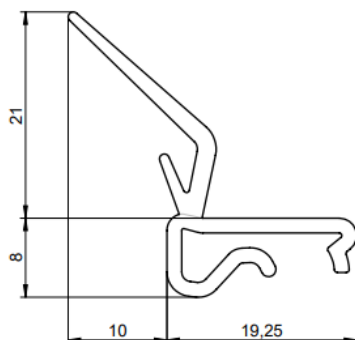


## 1088RC-2010 Side seal

### Images:



### Description:

- |                          |   |
|--------------------------|---|
| - Subcategory            | : 04. Side - 1088   |
| - IND/RES                | : BOTH  |
| - Full package quantity  | : 10  |
| - Unit                   | : piece (1)   |
| - Weight / Unit          | : 0,30kg  |
| - Material               | : PVC, TPE  |
| - Colour                 | : Black   |
| - Height                 | : 29mm  |
| - Length                 | : 2010mm  |
| - Width                  | : 30mm  |
| - Product Family         | : a 001   |
| - Commercial description | : for 915VL   |
| - Technical description  | : Replaces 1088N side seal. Improved design for easier mounting on the 915VL profile. |