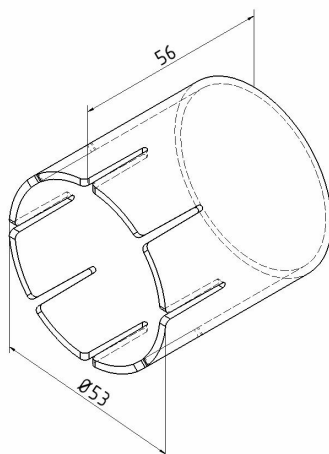


1078D Distance holder

Images:



Description:

- | | |
|-------------------------|---|
| - Subcategory | : 04. Others |
| - IND/RES | : IND |
| - Full package quantity | : 100 |
| - Unit | : piece (1) |
| - Weight / Unit | : 0,023kg |
| - Material | : PVC |
| - Colour | : Black |
| - Length | : 56mm |
| - Product Family | : a 109 |
| - Outside diameter | : 53mm |
| - Marking | : FF |
| - Technical description | : Must be dipped in glue and mounted on both ends of the cut to size spring fillers, 1078P1 or 1078PVC. It prevents the inwards bended spring wire on the plug to hit the spring filler (noise reduction!). |