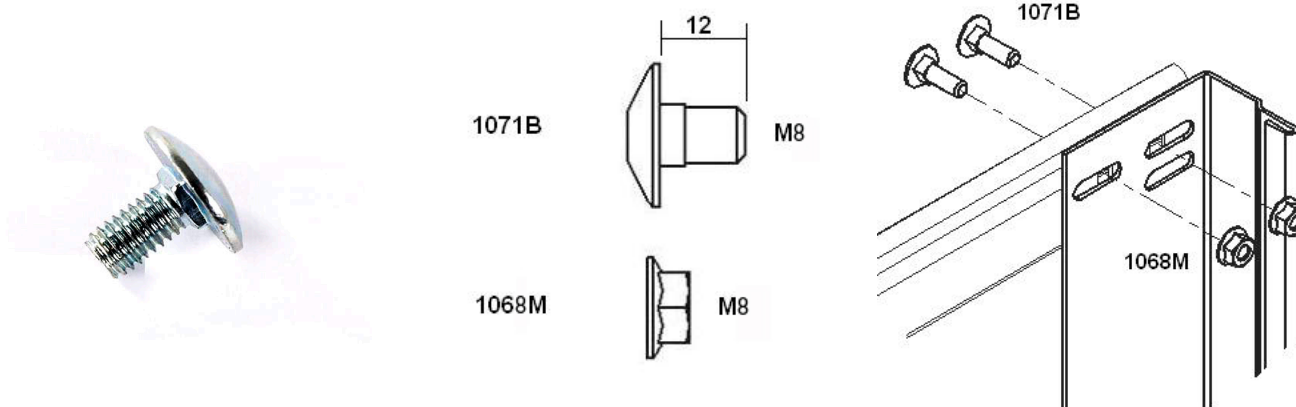


1071B Bolt

Images:



Description:

- Subcategory	: 01. Screws
- IND/RES	: BOTH
- Full package quantity	: 1000
- Unit	: piece (1)
- Weight / Unit	: 1,1kg
- Material	: Galvanised Steel
- Length	: 12mm
- Product Family	: a 046
- Commercial description	: M8x12mm, 3.5mm high, square
- Technical description	: A shorter version of the 1070B35 bolt, f.e for connecting wall consoles to the vertical angle, 9VB to 5C etc.