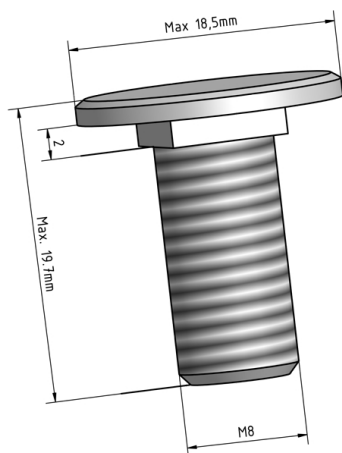


1070BF Bolt

Images:



Description:

- Subcategory	: 01. Screws
- IND/RES	: BOTH
- Full package quantity	: 1000
- Unit	: piece (1)
- Weight / Unit	: 0,6kg
- Material	: Galvanised Steel
- Length	: 19,7mm
- Product Family	: a 045
- Max. torque	: 33Nm
- Commercial description	: with Mushroom head
- Technical description	: This M8 bolt is comparable to the recently introduced 1071BF "mushroom head" bolt, only this one is longer (M8x18mm).