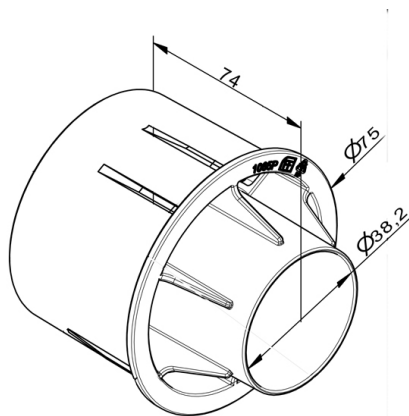


1065P End stop

Images:



Description:

- Subcategory	: 04. Others
- IND/RES	: IND
- Full package quantity	: 280
- Unit	: piece (1)
- Weight / Unit	: 0,04kg
- Material	: PP
- Colour	: Black
- Length	: 74mm
- Product Family	: a 104
- Inside diameter	: 38,2mm
- Outside diameter	: 75mm
- Marking	: 1065P FF
- Technical description	: End stop for supporting the new 1065PVC3000 spring filler tube. Makes a strong, solid, low noise support of 95mm torsion springs.