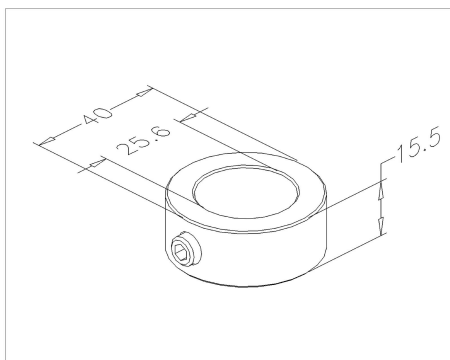


1065 Set collar

Images:



Description:

- Subcategory	: Collars
- IND/RES	: BOTH
- Full package quantity	: 200
- Unit	: piece (1)
- Weight / Unit	: 0,09kg
- Material	: Galvanised Steel
- Height	: 15,5mm
- Product Family	: a 001